

Jetty Table Series | Power & Tray Worksheet

Instructions

Please submit this worksheet for Martin Brattrud to process an accurate price quote. This form must accompany your purchase order to ensure production meets your specifications. Contact customer service for a price quote.

Side Tables

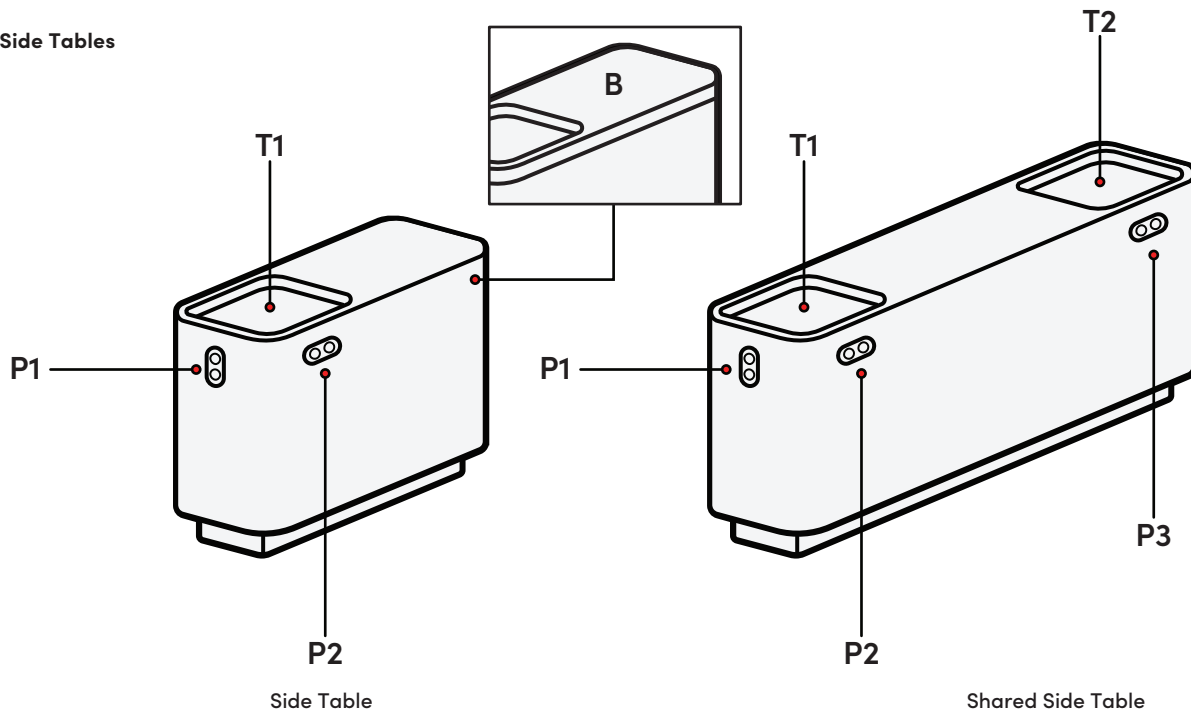


Table Selection Options

A. Corian Top Options	<input type="radio"/> Glacier White (Standard) <input type="radio"/> Aurora 1 <input type="radio"/> Bisque 1 <input type="radio"/> Cameo White 1 <input type="radio"/> Canvas 2 <input type="radio"/> Bronzite 2 <input type="radio"/> Night Sky 2 <input type="radio"/> Raffia 2	<input type="radio"/> Moss 1 <input type="radio"/> Sandstone 1 <input type="radio"/> Antartica 2 <input type="radio"/> Cocoa Brown 2 <input type="radio"/> Thyme 2 <input type="radio"/> Arctic Ice 3 <input type="radio"/> Earth 3 <input type="radio"/> Graylite 3	Standard in 0.5" thick solid surface materials with matching plinth base Also available in Chemetal bases (CM), specify color
	B. Wood Top Options	<input type="radio"/> Solid Walnut (Standard) <input type="radio"/> Solid Maple <input type="radio"/> Solid White Oak	
C. Tray Options	Side Table	Shared Side Table	
	<input type="radio"/> T1 <input type="radio"/> None	<input type="radio"/> T1 <input type="radio"/> T2 <input type="radio"/> None	
D. Power Options	<input type="radio"/> P1 <input type="radio"/> P1-1* <input type="radio"/> P2 <input type="radio"/> P2-2* <input type="radio"/> All	<input type="radio"/> P1 <input type="radio"/> P1-1* <input type="radio"/> P2 <input type="radio"/> P2-2* <input type="radio"/> P3 <input type="radio"/> P3-3* <input type="radio"/> All	

*Power outlets are available for the opposite side – not shown in graphic